

# Data Sheet

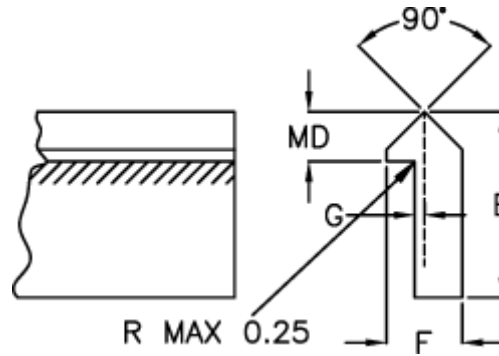


Article number: 055033100

Description: Skinne T3 3100mm

## Measures

---



E = 22.22

F = 8.71

G = 1.57

Kg/m = 1.020

MD(T) = 6.35